



FLEXUS

Digital Partyline System

DAISY-CHAIN & ETHERNET LAN – BOTH IN ONE SYSTEM!

FLEXUS DIGITAL PARTYLINE GIVES YOU **MORE** OF WHAT YOU NEED. AND **LESS** OF WHAT YOU DON'T. WITH **EITHER** DAISY-CHAIN **OR** ETHERNET CONFIGURATIONS... OR **BOTH** FROM ONE MASTER STATION!

LESS  MORE

MORE user stations (beltpacks or remote speaker stations) – Up to 24 user stations per Master Station.

MORE clarity – All audio is 16-bit/48 kHz uncompressed.

MORE groups (“virtual” partylines) – up to 18 groups (virtual partylines) per Master Station.

MORE Program Audio – Two PGM audio feeds over the network; mono stations can select either feed, while binaural stations have both feeds enabling stereo PGM to headset.

MORE extended user functions – All speaker stations have six multi-function channels with each programmable for Listen Only audio, GPO relay.

LESS wiring for lower costs – No need to wire separate daisy chains to accommodate multiple groups.

LESS set-up time – One daisy chain serves lighting, video, effects, backstage, etc.

EITHER daisy-chain or Ethernet-based configuration, or **BOTH** in the same system – One master station can connect up to 24 user stations via LAN, or on daisy chains, or as a split system with both network and daisy chain modes. (For configuration examples, please see page 7.)

Networked Configurations

- New networking protocol designed exclusively for partyline applications, with audio and control data always in the same data stream for 100% sync with no jitter
- Protocol is fully Ethernet compliant and can share the same network infrastructure with other audio protocols such as Dante, Ravenna and AVB.
- Designed for compliance with AES 67 standard
- User stations powered by PoE (power over Ethernet) switches, or locally as needed

Daisy Chain Configurations

- User stations powered by 48 V source from master station
- Up to 12 user stations on each of two connections from the master station (24 total)
- All connections on lightweight Cat-5/6 cable

Additional Features

- Full color, high-resolution displays
- Advanced ergonomic design for ease of use in high-stress situations
- Superior build quality, using premium circuit components, switches and connectors

DIGITAL PARTYLINE  DAISY CHAIN WIRING
GPO TRIGGER  LISTEN ONLY

FLEXUS Modular User Interface Sections

For familiarity and ease of use, FLEXUS Master and Remote Speaker Stations are built using an appropriate combination of identical user interface sections.



Full Duplex Partyline Section: All User Stations

- Channel volume knob with “Push to Call” function
- Color HR display showing channel volume, group name & number, TALK status (‘on’ or ‘disabled’) and Call active (turns red)
- Large “TALK” pushbutton



Multi-function Channel Section: All Speaker Stations

- Each of six channels may be programmed as any of following:
- Listen Only – Listen to an additional intercom group
 - GPO Relay – Use for triggering “Silence” or “On Air” sign



Master Section: All Speakers Stations

- Master volume control
- Mic mute button
- Stage announce button
- Speaker on/off button
- Talk to All (TTA) button
- Remote Talk Mute (RTM) button
- Menu button



FLEXUS Master Station

The FL 2400 Master Station is the command and communications center for a FLEXUS partyline system. Housed in a compact 1U rackmount cabinet, the Master Station includes the four full duplex partyline channels, the Multi-function Channel section, and Master Section. Also available are a PGM audio channel, a gooseneck mic jack, a headset connector (XLR-4) and a USB connector.

The rear panel of the Master Station supplies full connectivity for any size of partyline system. The Ethernet connectivity can be used for linking to remote stations and/or belt packs, as well as for Gigabit Ethernet connection to as many as three other master stations for extended system capabilities. Connections also are supplied for "daisy chain" lines, 16 GP relay outputs, three GP opto inputs, four 4-wire system interfaces, program audio inputs, stage announce/hot mic output and Call Beacon.

FLEXUS Remote Speaker Stations

Built for years of heavy use, FLEXUS Remote Speaker Stations may be fitted with flanges for 19" rack mount installation (2U), or housed in heavy duty steel desktop consoles. Remote Stations are powered via 48 V DC from a daisy chain line, by PoE if on a LAN, or by local mains using a power adapter.

Three versions are available to accommodate requirements for 4, 8 or 12 intercom channels. The 4-channel FL 430 RS is shown in the desktop console, and the 12-channel FL 1230 RS with flanges for rack installation.



■ 4-ch Remote Speaker Station in desktop console



■ FL 2400 Master Station Rear Panel



■ FL 2400 Master Station Front Panel



■ 12-ch Remote Speaker Station in 19" rack mount kit



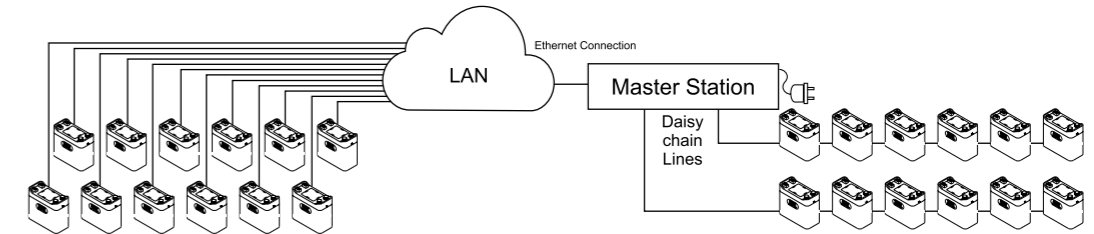
FLEXUS Beltpack

Sleek, rugged and designed for exceptionally easy operation, the BP 390 beltpack offers a category-leading level of flexibility and features in a compact and lightweight package. Power is supplied by the daisy chain line (48 VDC) or PoE from a compatible network switch. Vibration mode is selectable instead of call buzzer. Each beltpack includes:



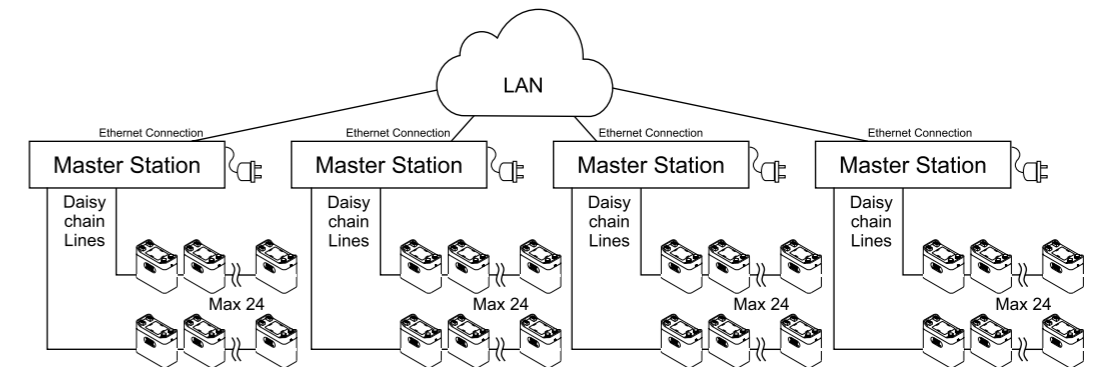
- Two partyline channels
- Full-color, high-resolution display
- Menu operation via see-through click screen
- One PGM channel
- Mini-jack connector for headphones (earpiece)
- Headset connector (XLR-4)
- Mini jack for Call Beacon (ASL BlinQ)

A



Master station with 12 remote stations (speaker stations or beltpacks) via LAN and 12 beltpacks or 6 remote speaker via the daisy chain lines. If remote speaker stations are locally powered via mains to 48 VDC adapter, a total of 12 of these speaker stations may be connected to the daisy chain lines.

B



Via LAN linked master stations (1 Gigabit connections). Remote stations (beltpacks or speaker stations) are connected to the master stations via daisy chain lines.

For more configuration examples, see www.asl-inter.com or the FLEXUS User Manual.

FLEXUS Product Overview

| | | | |
|-------------|-----------------------------------|--------------|---|
| FL 2400 MS | 4-ch Master Speaker Station | FL 1230 RS | 12-ch Remote Speaker Station |
| | | FL 1230 DESK | Desktop Console for FL 1230 |
| FL 430 RS | 4-ch Remote Speaker Station | FL 1230 RMK | 19"/2RU Flares for FL 1230 |
| FL 430 DESK | Desktop Console for FL 430 | | |
| FL 430 RMK | 19"/2RU Flares for FL 430 | BP 390 | 2-ch Beltpack |
| | | | |
| FL 830 RS | 8-ch Remote Speaker Station | GML 30 E | Gooseneck Electret Mic, 30 cm, LED ring |
| FL 830 DESK | Desktop Console for FL 830/831 RS | GML 45 E | Gooseneck Electret Mic, 45 cm, LED ring |
| FL 830 RMK | 19"/2RU Flares for FL 830/831 RS | | |



ASL INTERCOM B.V.
Zonnebaan 42, Utrecht, The Netherlands
Phone: +31 (0)30 2411901
Fax: +31 (0)30 2667373
info@asl-inter.com
www.asl-inter.com